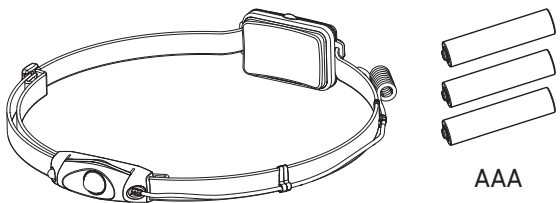
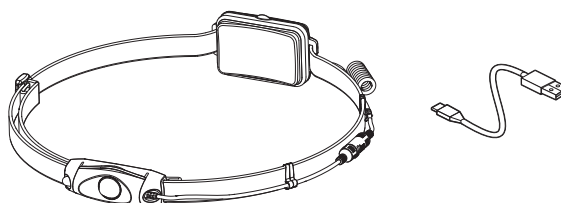


LEDLENSER H4/H4R

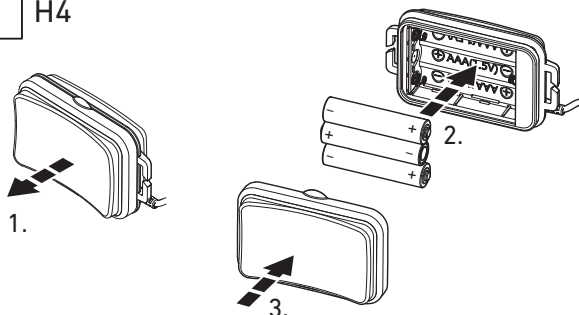
H4



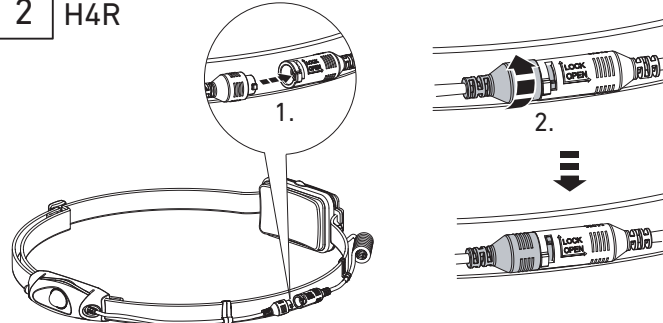
H4R



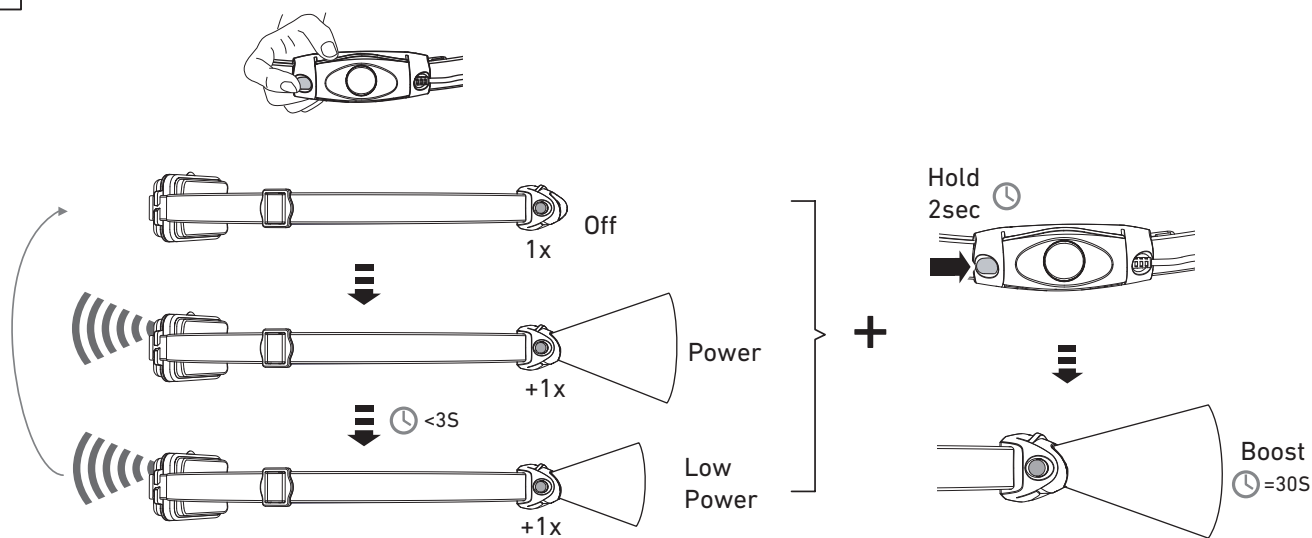
1 H4



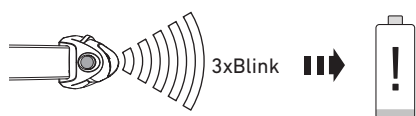
2 H4R



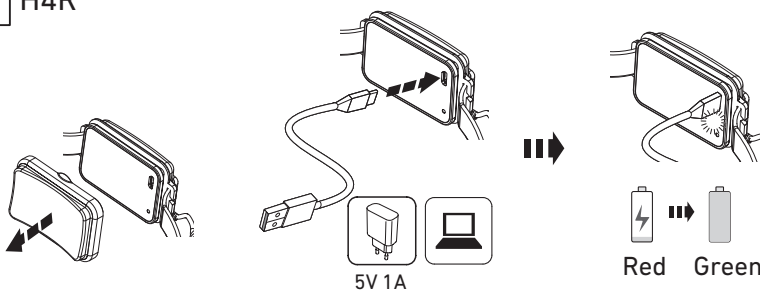
3



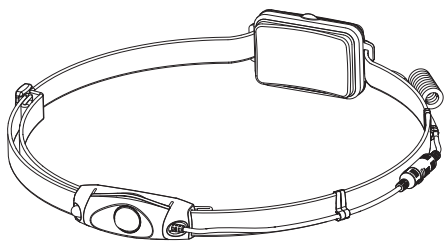
4



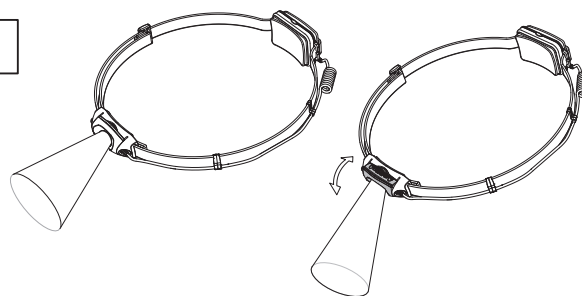
5 H4R



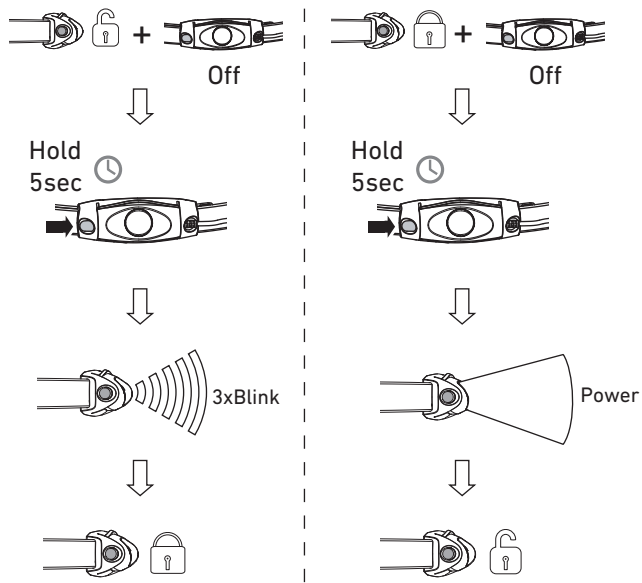
LEDLENSER H4/H4R



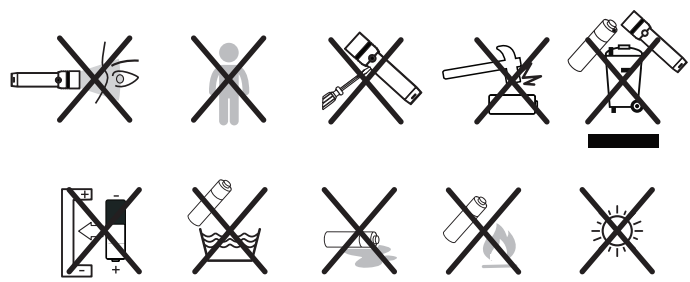
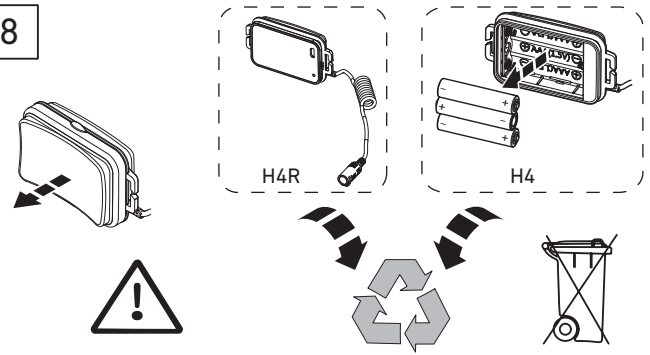
6



7



8



Ledlenser GmbH & Co. KG
 Kronenstr. 5-7 • 42699 Solingen • Germany
 Phone +49 212/5948-0 Fax +49 212/5948-200
 info@ledlenser.com



H4/H4R_V.01
 26.09.2018
 1J12A0255